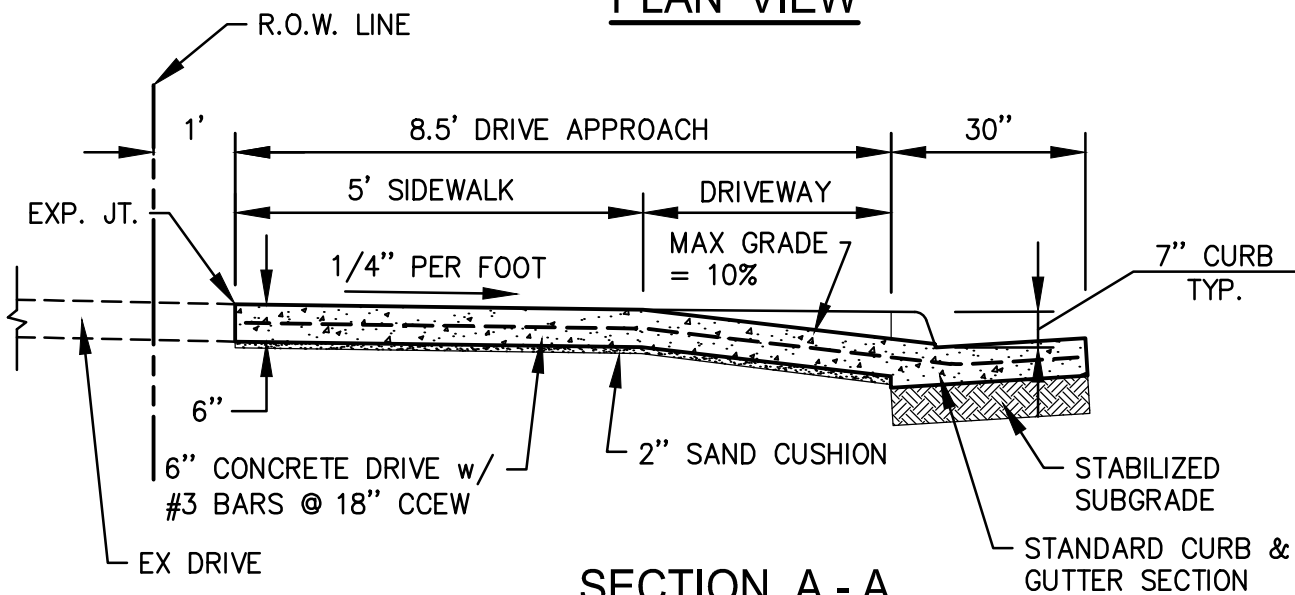


PLAN VIEW



SECTION A - A

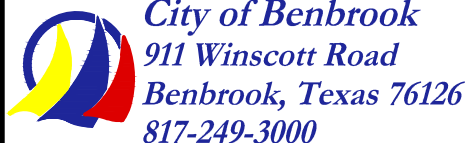
NOTES:

1. #4 DOWEL BARS AT 18" C-C SHALL BE USED WHEN CONNECTING TO EXISTING SIDEWALKS DRIVEWAYS, CURB AND GUTTER.
2. EXISTING CURB AND GUTTER, IF ANY, SHALL BE SAW CUT AS DIRECTED BY THE CITY ENGINEER.
3. SIDEWALK SECTION THRU DRIVEWAY TO BE POURED SAME THICKNESS AS DRIVEWAY APPROACH AND PAID FOR AS DRIVEWAY APPROACH. (EXISTING SIDEWALK, IF ANY, TO BE REMOVED AND REPLACED)

FEBRUARY 2018

NOT TO SCALE

REVISIONS:



RESIDENTIAL
CONCRETE APPROACH
SP-009