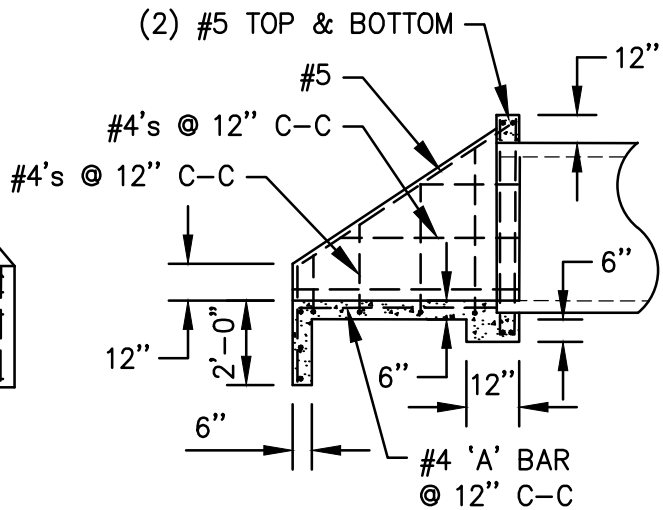
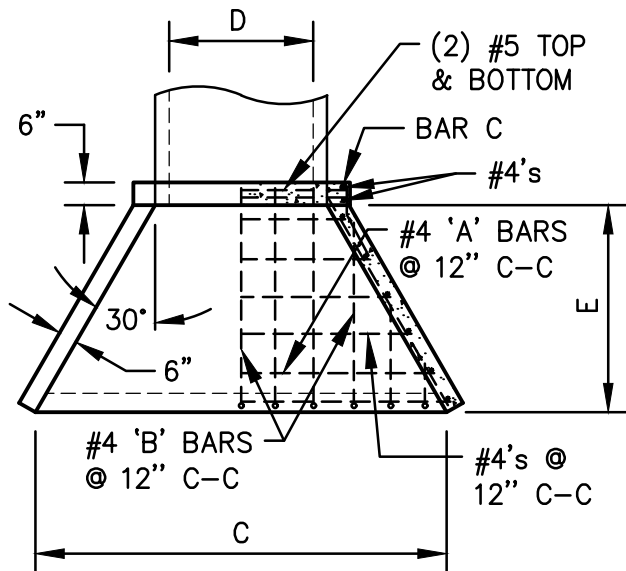


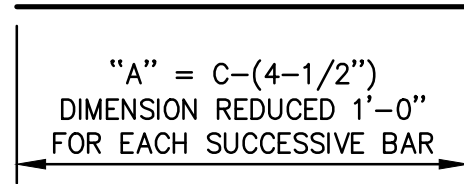
**ELEVATION**



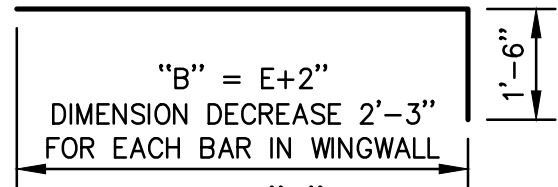
**SECTION**



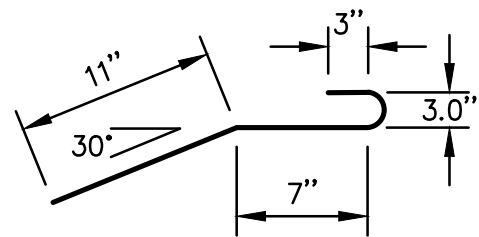
**PLAN**



**BAR "A"**



**BAR "B"**



**BAR "C"**

**BAR DETAIL**

**NOTES:**

1. CONCRETE SHALL BE 3600 PSI.
2. SEE SHEET SD-010 FOR DIMENSIONS.
3. EXPOSED CORNERS SHALL BE CHAMFERED 3/4".
4. ALL REINFORCING STEEL SHALL HAVE 2" MIN. COVER.

**FEBRUARY 2018**

NOT TO SCALE

REVISIONS:



**City of Benbrook**  
 911 Winscott Road  
 Benbrook, Texas 76126  
 817-249-3000

**CONCRETE  
 HEADWALL  
 SD-009**